

OPERATOR'S MANUAL

**Cordless Electric
Self-Propelled**

**20" Front-Throw
Reel Mower**



MCLANE

MANUFACTURING
INC.

7110 East Rosecrans Ave.

Paramount, CA 90723

Telephone

(562) 633-8158 (213) 636-8336

CONTENTS

	Page		Page
General Safety Suggestions	3	Maintaining Your Mower	9-10
Warranty	Contents Page	Battery Maintenance	
Parts List	14-16	Motor Maintenance	
Parts Illustration	12-13	Protective Cover	
Mower Features	4	Blade Maintenance	
Assembly	5-6	General Maintenance	
Attaching the Handle		Storage Instructions	
Checking Clutch Operations		Battery Charger	
Operating Your Mower	7-8	Battery Warranty Information	
Correct Mower Operation		Trouble Shooting Checklist	11
Electric Switch Control			
Starting the Motor			
Engaging Drive Belt			
Stopping the Motor			
Increasing Mower Speed			



CAUTION



This symbol marks important instructions relating to your personal safety. To avoid the possibility of injury, read and follow such instructions carefully.

When the manual refers to the left or right side of the mower, it means your left and right when standing in the operating position.

TWO YEAR LIMITED WARRANTY

BATTERY EXCLUDED

For two years from purchase (60 days for commercial use) McLane Manufacturing Inc., will replace for the original purchaser, free of charge, any part or parts, found upon examination by any factory authorized service center, or by the factory in Paramount, California, to be defective in material or workmanship or both. All transportation charges on parts submitted for replacement under this warranty must be borne by purchaser. There are no other expressed warranties. Implied warranties, including those of merchantability and fitness for a particular purpose, are limited to two years from purchase and to the extent permitted by law. Any and all warranties are excluded. This is the exclusive remedy and liability for consequential damages. Any and all warranties are excluded to the extent exclusion is permitted by law. Some states do not allow limitations on how long an implied warranty lasts, and some states do now allow the exclusion limitation of consequential damages, so the above limitation and exclusion may not apply to you. This warranty gives you specific legal rights and you may also have other rights which vary from state to state.

It is your responsibility to follow the maintenance instruction described in the owner's manual.

Routine service (cleaning, blade sharpening) is your responsibility.

1. Battery Charger - Warranty covered by Charger Manufacturer. Refer to Charger Instruction Sheet.
2. Battery - 6 months Unconditional Warranty. 2 yrs. Limited Pro-Rated Warranty from date of purchase if proper maintenance is followed.

NOTE: Operator abuse and improper assembly of product is not covered by any written or implied warranty. Read your owner's manual carefully.

GENERAL SAFETY SUGGESTIONS

Recommended by Outdoor Power Equipment Institute

DO NOT MODIFY MOWER

Unauthorized modification to the mower may impair its function and safety and affect mower life.

TRAINING

1. Read the Operating and Maintenance Instruction Manual carefully. Be thoroughly familiar with the controls and proper use of the equipment.
2. Never allow children to operate mower.
3. Keep area of operation clear of all persons, particularly small children and pets.
4. Thoroughly train anyone using the mower. Make sure all mower operators know the safety, operating and maintenance procedures.
8. Stop the motor whenever you leave the mower and when making repairs or inspection.
9. When repairing or inspecting make certain blade and all moving parts have stopped. Always disconnect battery before making repairs or adjustments.
10. Shut motor off and wait until blade comes to a complete stop before removing grass that may clog blade guard.
11. Watch out for traffic when working near roadways.

PREPARATION

1. Thoroughly inspect the area where mower is to be used, and remove all stones, sticks, wire, bones and other foreign objects which might be picked up and thrown.
2. Do not operate mower when barefoot or wearing open sandals. Always wear substantial foot wear, and pants or slacks that cover your legs when operating mower.
3. Disengage clutch drive before starting motor.
4. Do not use mower unless all guards are properly in place.
5. Mow only in daylight or in good artificial light.
6. Never operate equipment in wet grass. Always be sure of your footing. Keep a firm hold on the handle and walk, never run.
12. Stay alert for uneven sidewalks, holes in terrain or other hidden hazards when using mower.
13. Remember, never operate mower unless all guards are properly in place.
14. Disengage power to clutch and stop motor before leaving mower, before making repairs, inspections or adjustments, and when transporting or not in use. Always disconnect battery before working on mower.

MAINTENANCE AND STORAGE

1. Start the motor carefully. Keep hands and feet well away from blade.
2. Wear safety glasses when operating mower.
3. Keep clear of discharge opening at all times. Never direct discharge of any material toward bystanders nor allow anyone near machine while it is in operation.
4. Stop blade when crossing gravel drive, walks or roads.
5. After striking a foreign object, stop the motor and inspect mower for damage. Repair damage before starting motor.
6. Avoid loss of control or tipping on slopes and sharp corners by reducing speed.
7. If mower should start to vibrate abnormally, stop the motor and check for the cause. Vibration is generally a warning of trouble.
1. Keep all nuts, bolts and screws tight to be sure equipment is in safe working condition.
2. To reduce fire hazard, keep motor free of grass, leaves or excessive grease.
3. Keep mower in good operating condition and keep safety devices in place.
4. Battery contains acid, keep rags and open flame away from battery.
5. Keep battery charged during storage.

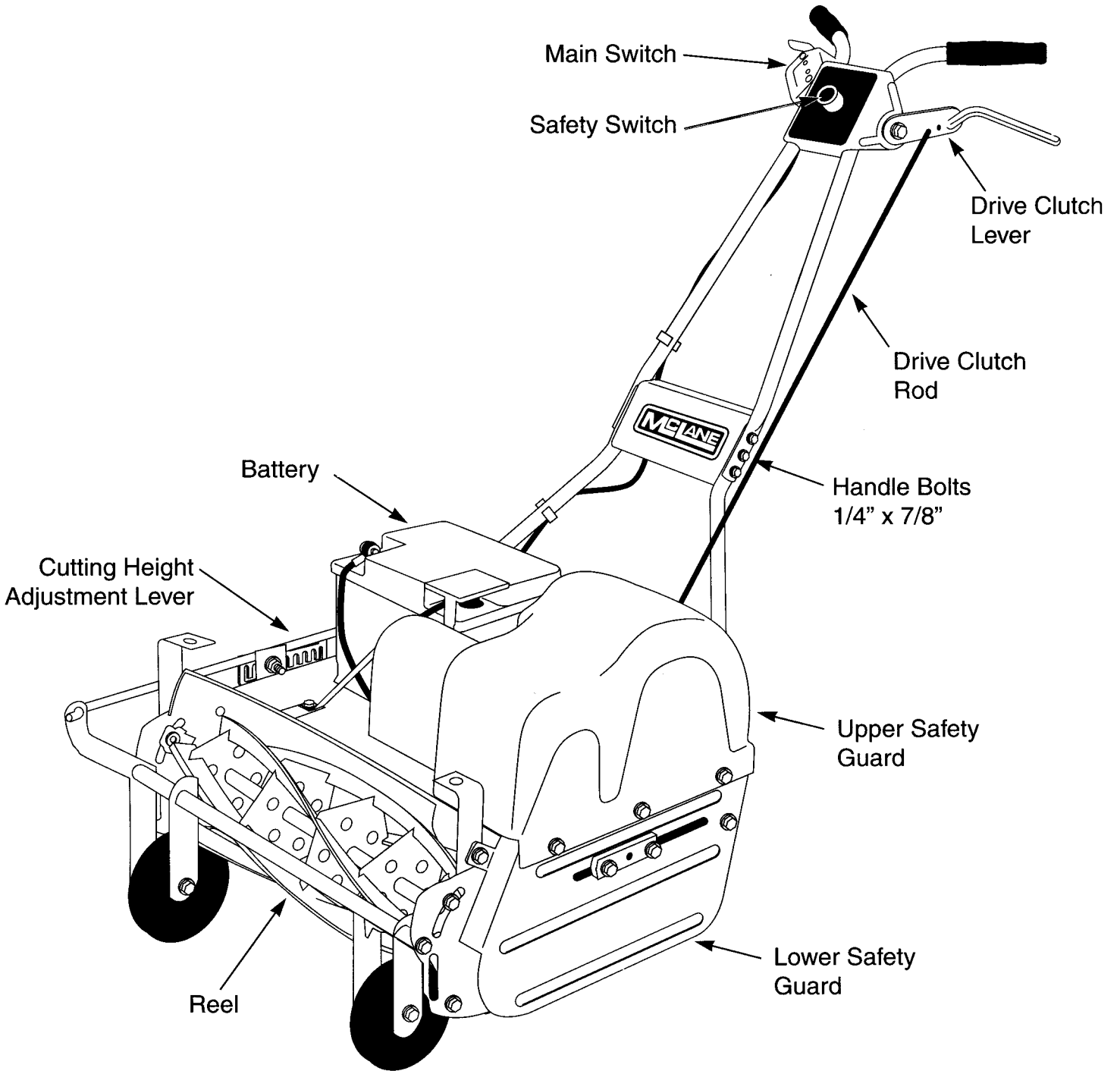


CAUTION TO AVOID INJURY



READ OPERATOR'S MANUAL · KNOW LOCATION & FUNCTION OF CONTROLS · MAINTAIN SAFETY DEVICES · REMOVE POTENTIAL THROWN OBJECTS · NEVER MOW NEAR PEOPLE · NEVER CARRY PASSENGERS · LOOK BEFORE BACKING · AVOID SLIPPERY OR STEEP AREAS · STOP MOTOR & BACK SLOWLY IF MACHINE STOPS · AVOID REEL UNLESS REEL & MOTOR ARE STOPPED.

MOWER FEATURES



ASSEMBLY

TOOLS REQUIRED: 7/16" Wrench, Pliers, Screwdriver

NOTE: Reference to left or right side of mower is from operator's position at the handle, facing forward. The lawn mower is fully assembled except for the handle and clutch control rod. Everything is packed and shipped in one container, including the Battery Charger.

ASSEMBLY:

STEP 1: Remove the grass catcher, handle assembly, control rod, battery charger and acid carton from box. Make sure everything is out of the box, except the mower. Then, reach over the mower and grab the bars and pull the mower toward you. As you do so, allow the wheels to force the side of the box down on the ground. Now the box should be on ground level and this will allow you to roll the mower out of the box with ease.

STEP 2: Attaching the handle: remove the bolts retaining the panel to the lower handle. You need six bolts to mount the handle. Two of the six bolts were those you just removed. The other four are supplied with loose hardware in the plastic bag (see Fig. 1). Take the bottom section of the handle and install a bolt through the brace, the handle section, and the panel or bracket. Put a nut on each bolt and secure the panel or bracket on both sides of the handle.

NOTE: The holes in the handle are slotted so adjustments can be made. Make sure handle is pushed down on the bolts as far as possible before the bolts are tightened.

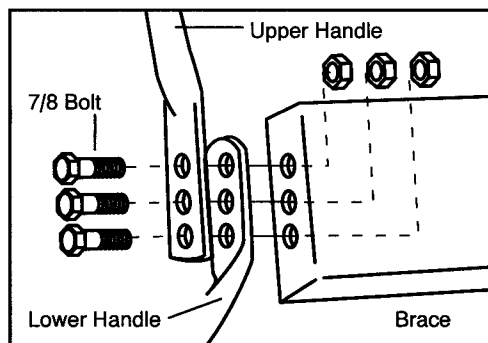


Fig. 1

NOTE: The three holes in the upper handle must be aligned with the three holes in the lower handle.

Slip on the handle grips. Soaking in hot water may ease assembly.

DRIVE CLUTCH CONTROL ROD ASSEMBLY:

1. The drive clutch control rod comes in two pieces. The bottom or short rod is attached to the clutch. The top rod is packed in the carton.
2. There are two nuts on the threaded part of the bottom rod. Remove the top nut.
3. Install the bent end of the top rod into the first hole on the drive clutch lever.
4. Swing the top control rod down toward the mower and place the tension adjusting clamp which is attached to the top rod over the threaded portion of the bottom rod.
5. Now replace the nut removed from the bottom rod and tighten until bottom of adjusting clamp is tight against the bottom nut. Make sure the top nut is very tight.

IMPORTANT! DRIVE CLUTCH ROD TENSION ADJUSTMENT:

1. Lift the drive clutch lever to the handle. If there is a slight tension on the belt, the adjustment should be correct. The tension should be just enough to propel the mower without the belt slipping on the pulley.

EXCESSIVE TENSION WILL REDUCE BELT LIFE AND PERFORMANCE OF THE MOWER.

2. Check for correct belt tension:
 - A. Engage safety switch and main switch so motor and reel will run.
 - B. With the drive clutch rod end in the first hole of the drive clutch lever, engage the drive clutch lever and run the mower a short distance.
 - C. If the mower moves properly without the belt slipping, the belt tension is correct.

! CAUTION !

When testing belt tension, make sure no one is in front of the mower. Keep hands and feet away from moving reel, belts and chain.

- D. If mower does not propel forward or the belt is slipping, more tension is needed.
- E. Loosen the top nut on the top control rod two or three turns.
- F. Now tighten the lower nut on the top control rod until the top of the adjusting clamp is against the top nut you just loosened.
- G. Now test the mower. If the mower moves the tension is OK. If the mower does not propel forward, repeat steps E & F. - *Don't tighten drive clutch rod any tighter than necessary to propel lawn mower.*

NOTE: If the belt continues to slip, loosen six bolts in the handle and pull handle up slightly. Tighten bolts and test tension. Repeat if necessary.

ASSEMBLY

SERVICING THE BATTERY & GRASS CATCHER



CAUTION

Never use matches or any open flame near battery. Always wear protective goggles when handling battery. Be very cautious as battery contains acid.



CAUTION

Battery contains acid - Always wear protective goggles. If battery acid contacts skin, wash immediately with soap and water. Clean water should always be available.

IMPORTANT

To assure a fresh battery, it is shipped without the acid solution. The acid must be added to the battery before using the mower. The acid solution is in a special plastic container and is packed in the mower carton.

After the acid solution has been added to the battery, the battery must be charged, using the enclosed 6 amp charger. It will take overnight to fully charge the battery. Set the charger on "Automatic" and it will shut down when the battery is fully charged.

ADDING THE ACID SOLUTION TO THE BATTERY

1. Be sure to follow instructions on the acid carton.
2. Remove tabs as indicated near top of acid package and pull out dispensing hose.
3. Hold hose upright above the pack and squeeze hose to force acid back into pack. Cut off tip of hose.
4. Remove all cell vent caps from the battery and insert end of hose into each cell. Control flow of acid solution by pinching hose with thumb and forefinger.
5. Fill each cell until solution reaches the top of the separators or plates. This should be approximately 1/2" below the minimum line shown on the battery.
6. Now add distilled water to 1/8" above the minimum line on the battery. Do Not Over Fill. Make sure acid pack is placed upright.

7. Replace cell caps and charge the battery with the enclosed charger. The battery has been dry charged so it will take 8-12 hours to become fully charged.
8. After charging check fluid level. Add acid solution if needed to bring level up to the fill line.
9. Before disposing of acid solution container, neutralize any excess acid with baking soda, then rinse the container with water.

INSTALLING GRASS CATCHER:

1. SEE FIG. 3: Loosen catcher hook, nuts and bolts. Remove front nut and bolt from each catcher hook. Then raise catcher hooks and fasten both hooks with the bolts. Leave bolts loose until catcher is adjusted for proper clearance from the reel blades.
2. Attach grass catcher to the mower and make sure the catcher does not touch the reel blades. The catcher hooks are slotted so you can easily adjust the catcher so it will clear the reel blades.
3. When proper clearance is assured, tighten the nuts and bolts holding the hooks to the catcher.

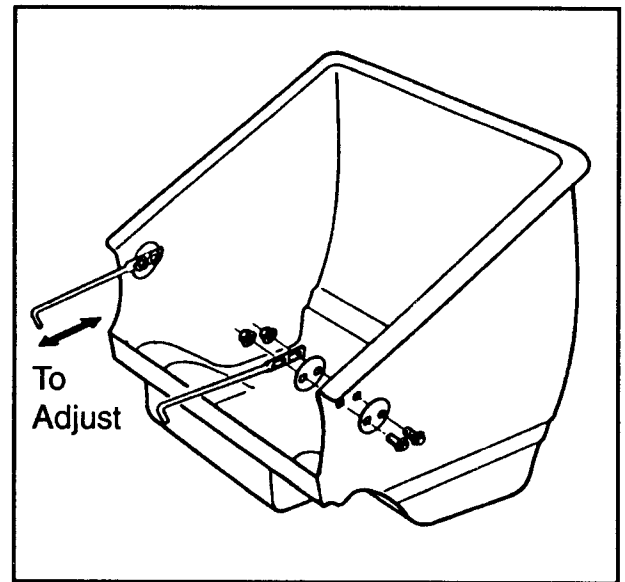


Fig. 3

MOWER OPERATION

CORRECT OPERATION



CAUTION



Before starting motor, become familiar with all controls. Read this Operator's Manual thoroughly. Always make sure clutch lever is NOT ENGAGED before starting motor.



CAUTION



Always shut motor off when leaving the mower unattended, even for just a few minutes. Prevent accidents; don't give children or unauthorized persons an opportunity to operate this machine.



WARNING



Keep all shields in place. Never attempt to clear discharge areas or reel blades unless motor is shut off. Disconnect battery if extensive cleaning is needed.

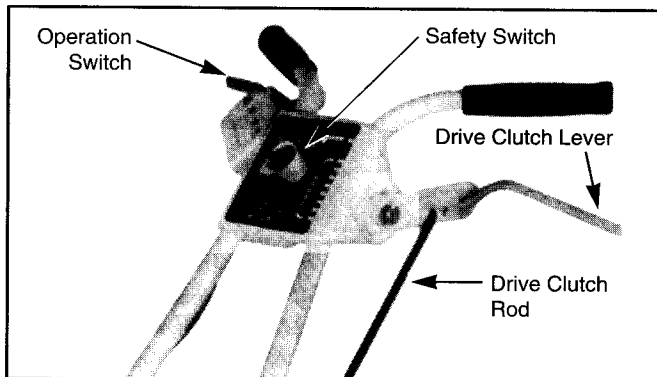


Fig. 4

STARTING THE ELECTRIC MOTOR

1. Be sure the clutch lever is disengaged.
2. For safety there are two switches, a safety switch and the operation or main switch. See Fig. 4.
3. Grasp the lever on the operation switch and squeeze it to the rubber grip on the handle.
4. Push the button on the safety switch and motor will start and continue to run.
5. When the lever on the operation switch is released, the motor will stop.
6. You must keep the lever engaged in order to keep motor operating.

ENGAGING DRIVE BELT

1. Lift drive clutch lever up towards handle grip.
2. The clutch will engage the drive belt and the mower will move forward.
3. Both the operation switch lever and drive clutch lever must be kept engaged to keep the mower operating.
4. Release the drive clutch lever and the mower will stop.



WARNING



When the electric motor is running, the cutting reel is also turning. Never allow anyone in front of the mower. Keep hands and feet away from the reel.

TO STOP

1. To stop mower release drive clutch lever.
2. To stop motor release operation switch lever.
3. Releasing the operation switch will stop both mower and motor.
4. Make sure both motor and reel are stopped before leaving the operating position.

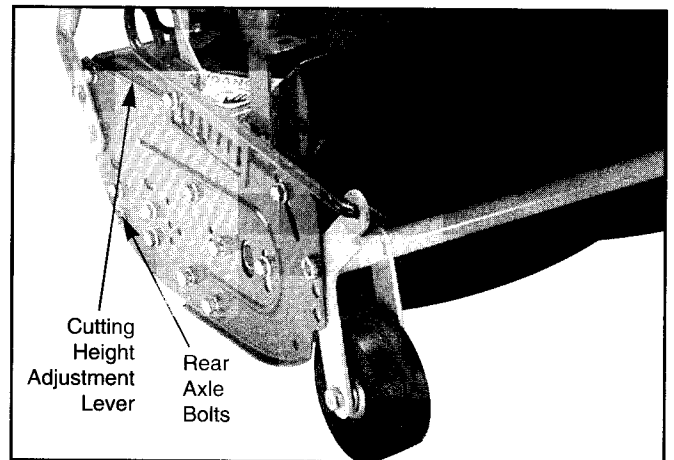


Fig. 5

CUTTING HEIGHT ADJUSTMENT

The cutting height of the mower is adjustable from 1/4" to 3-1/2".

1. To adjust cutting height to a higher cut, move adjustment lever forward. See Fig. 5. For a lower cut, move adjustment lever backward. (Toward rear of mower).
2. The eight notches in the height adjustment lever allows for several cutting heights.

MOWER OPERATION

CUTTING HEIGHT ADJUSTMENT Cont'd

3. **NOTE:** The rear axle can be raised or lowered to keep the mower deck level for easier mowing.
 - A. The rear axle is set at the factory for the lower height settings.
 - B. When mowing higher, loosen the four axle bolts on each side of the mower. Lower the axle until the deck is level and tighten the bolts.
 - C. For the highest mowing positions the mower will slant backwards. Remove the four axle bolts on each side of the mower. The plate between side plate and axle will drop down or out. Rotate this plate to use four new holes. Replace bolts and move axle down until deck is near level. Now tighten bolts.

CHANGING MOWER SPEED

Two walking speeds are available. The mower is assembled at the factory for the normal walking speed. The walking speed can be increased by making the following changes.

1. Remove the top protective cover by removing the three bolts holding the top cover to the side cover.
2. Remove the nut holding four inch V pulley on the shaft.
3. Remove 1/4" & 7/16" spacers behind the nut and the front V pulley disc.
4. Now place 1/4" spacer on the shaft and replace front pulley disc. (1/4" spacer should be between the two pulley discs).
5. Replace 7/16" spacer.
6. Replace nut and tighten securely.

NOTE: The clutch tension must be adjusted.

Check for correct belt tension:

- A. Engage safety switch and main switch so motor and reel will run.
- B. With the drive clutch rod end in the first hole of the drive clutch lever, engage the drive clutch lever and run the mower a short distance.
- C. If the mower moves properly without the belt slipping, the belt tension is correct.
- D. If mower does not propel forward or the belt is slipping, more tension is needed
- E. Loosen the top nut on the top control rod two or three turns.

F. Now tighten the lower nut on the top control rod until the top of the adjusting clamp is against the top nut you just loosened.

G. Now test the mower. If the mower moves the tension is OK. If the mower does not propel forward, repeat steps E & F. - *Don't tighten drive clutch rod any tighter than necessary to propel lawn mower.*

NOTE: If the belt continues to slip, loosen six bolts in the handle and pull handle up slightly. Tighten bolts and test tension. Repeat if necessary.

! CAUTION !

When testing belt tension, make sure no one is in front of the mower. Keep hands and feet away from moving reel, belts and chain.

! CAUTION !

The Operation of any lawn mower can result in foreign objects thrown into the eyes, which can result in severe eye damage. Always wear safety glasses or eye shields before starting your lawn mower and while mowing. We recommend Wide Vision Safety Mask for over the spectacles or standard safety glasses.

MAINTENANCE

REEL MAINTENANCE

Normally grinding of the reel is not recommended or necessary to insure proper cutting. This is due to the extreme hardness and great strength of the reel.

Sharpening and back lapping when required, should always be done by a properly equipped service center.

GENERAL MOWER MAINTENANCE

1. Occasionally remove any grass and debris build up from reel and bedknife area. Make sure battery is disconnected before working on the mower.
2. Remove protective cover from top of mower and check for worn belts. Remove dirt and debris that may collect in this area. The cover is removed by removing the bolts holding the cover to the side guard.
3. Periodically check all bolts for tightness.
4. Annually oil drive chain. Wipe off any excess oil.

MOTOR MAINTENANCE

1. While the protective cover is removed, check the motor to make sure electrical connections are secure.
2. Clean dirt and debris from the motor and fan blades.
3. The motor bearings are sealed, no further lubrication is needed.

BATTERY MAINTENANCE



WARNING



Never use matches or any open flame near battery. Always wear protective goggles when handling battery. Be very cautious as battery contains acid.

1. The battery is a deep cycle heavy duty battery that will operate the mower up to one hour or about 7500 square feet before recharging is needed.
2. Always charge battery immediately after mowing. With the charger set on automatic, overnight charging will usually fully charge the battery. Make sure battery is fully charged before mowing.
3. After charging check the fluid level in the battery. Remove the top caps and make sure the fluid is covering the grids or plates in the battery. If the battery has a line on the side of the battery near the top, the fluid should be at this line.
4. If the fluid level is low, add distilled water. Now replace the top caps.

5. Periodically check the battery terminals and remove any corrosion and dirt that may be present.
6. Be sure to read and follow instructions in the Battery Manual or instruction pages.

BATTERY CHARGER

1. The battery charger is included and is packed in the carton.
2. The battery charger can be plugged into any 120 volt electrical AC outlet.
3. Be sure battery charger is unplugged from the electrical outlet before connecting or disconnecting charging clips from the battery terminals.
4. The battery charger should not be placed on or near the battery. Make sure the area around the battery is well ventilated during charging. Gases from the battery can corrode and damage the charger.
5. The battery is a 12 volt deep cycle battery. Set the switch on bottom left side of charger to the "Maintenance Free and Deep Cycle" position. Set the switch on the bottom right side of the charger to the "12 volt" position.
6. Hook the positive (+) battery clip to the positive terminal of the battery. Then hook the negative (-) battery clip to the negative terminal of the battery.
7. To start charger, plug electrical cord into the electrical outlet.
8. If you use the manual switch position you will need to watch the battery closely as the charging amps will not reduce as the battery is being charged. Overcharging will reduce battery life and void the battery warranty.
9. The charger warranty is covered by the charger manufacturer and is listed in the charger instruction manual.
10. Be sure connections make good contact or charger will not work.
11. **NOTE:** Be sure to read and follow the instructions in the enclosed Battery Charger Manual.



CAUTION



To minimize the chance of injury, perform all maintenance and adjustments on your mower with motor OFF unless instructed otherwise. Disconnect battery also. Use extreme care when working near operating machinery. Do not wear loose fitting clothing. Remove watch and jewelry before beginning work and observe common safety practices when using tools.

MAINTENANCE

IMPORTANT! Battery Warranty is Voided If The Following Procedures Are Not Followed

1. To prevent overcharging of battery only a trickle charger or automatic 6 amp charger should be used. A 6 amp charger is included with the mower.
2. The battery must be charged before using mower the first time and then immediately after each use.
3. If mower is to be stored for any length of time the battery must be charged occasionally.
4. Check acid level in battery frequently. Remove top caps to check fluid levels and when the level drops 1/2" below full level add distilled or low mineral content water.
5. Always add water after charging to prevent overflow during charging expansion.

NOTE: Charging battery with low fluid levels will destroy battery and void warranty. Follow instructions in Battery Maintenance Folder.

BATTERY WARRANTY INFORMATION

1. The battery is a deep cycle battery designed to run electric motors and to absorb several discharges and charges eliminating rapid battery failure that occurs with regular starting batteries.

NOTE: Do not replace deep cycle battery with a starting (auto) battery.

2. The battery Warranty is as follows:
 - A. 6 Months Unconditional Warranty
Free replacement
 - B. 2 yr. Limited Pro-Rated from date of purchase.
 - C. First year Pro-Rated Credit towards purchase of new battery - \$20.00
 - D. Second year Pro-Rated Credit towards purchase of new battery - \$10.00.

STORAGE INSTRUCTIONS

1. Before storing for any length of time make sure battery can be kept charged by the battery charger. The battery needs to be charged occasionally during storage.
2. The battery can be removed and stored in a dry and cool place.
3. Be sure to remove electrical wires from the battery terminals before removing battery.
4. To remove battery you need to remove the battery hold down clamps. There is a clamp on each end of the battery. Remove the clamp bolts and battery can be removed from the mower.
5. Do not store your mower under any plastic cover. Plastic cannot breathe which allows condensation to form and can cause your mower to rust.

Service Record

DATE	COMPONENTS REPLACED

Trouble Shooting Chart

1. Motor Fails to Start:

- A. Check for loose wire connections
- B. Check that battery is fully charged
- C. Check that main switch lever is activated and safety switch button has been pressed

2. Operation Erratic:

- A. Check that battery is fully charged
- B. Check for loose wires
- C. Check for worn belt slipping

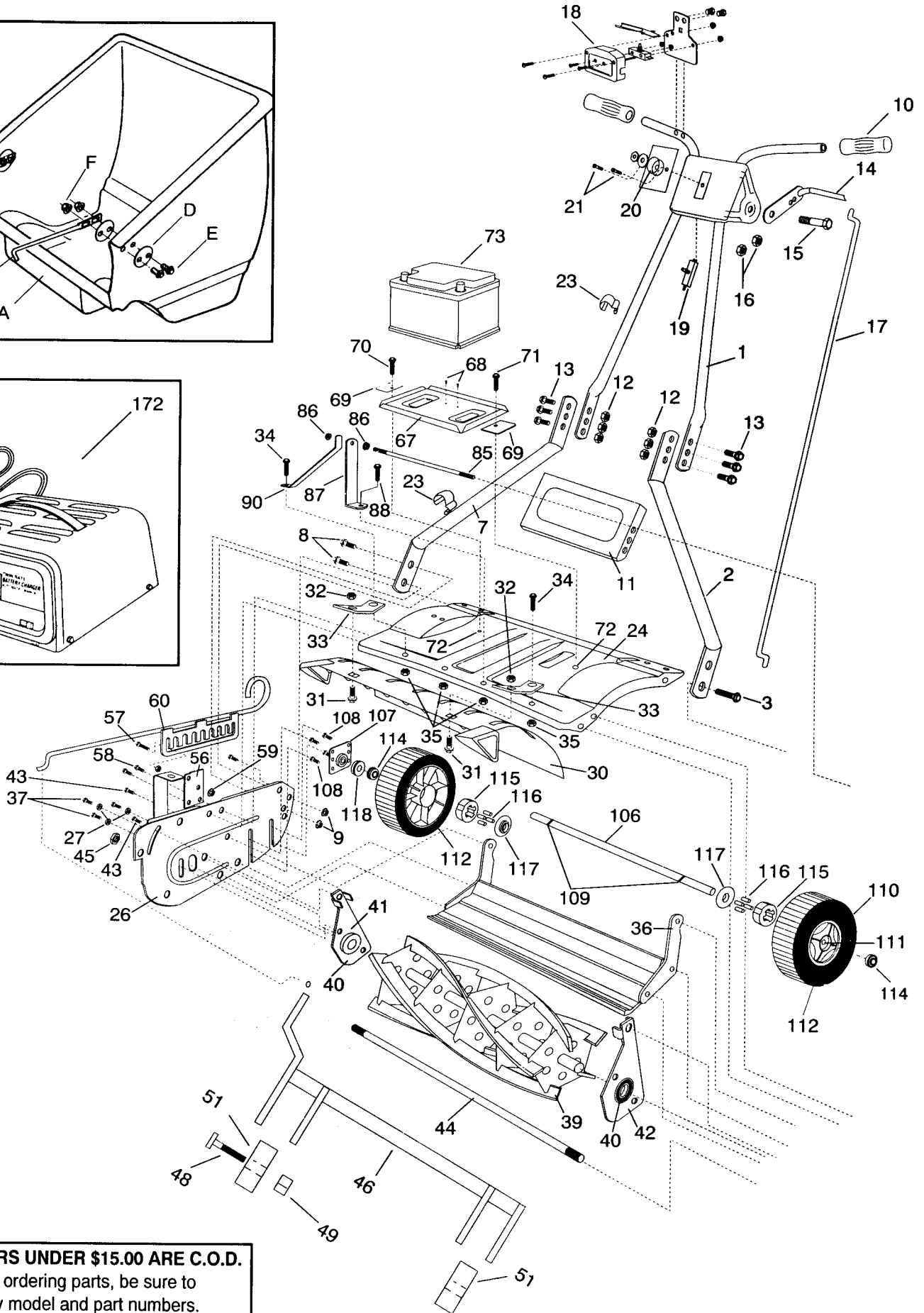
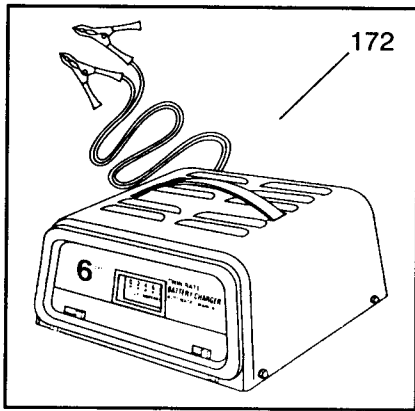
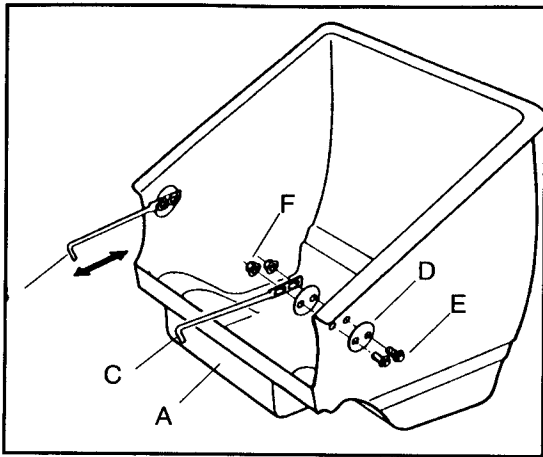
3. Clutch System Not Working:

- A. Check instructions for testing clutch
- B. Check for worn belt

NOTE:

If minor adjustments listed above do not solve the problem, please contact your dealer or a local mower and edger service center.

CORDLESS REEL MOWER PARTS ILLUSTRATION

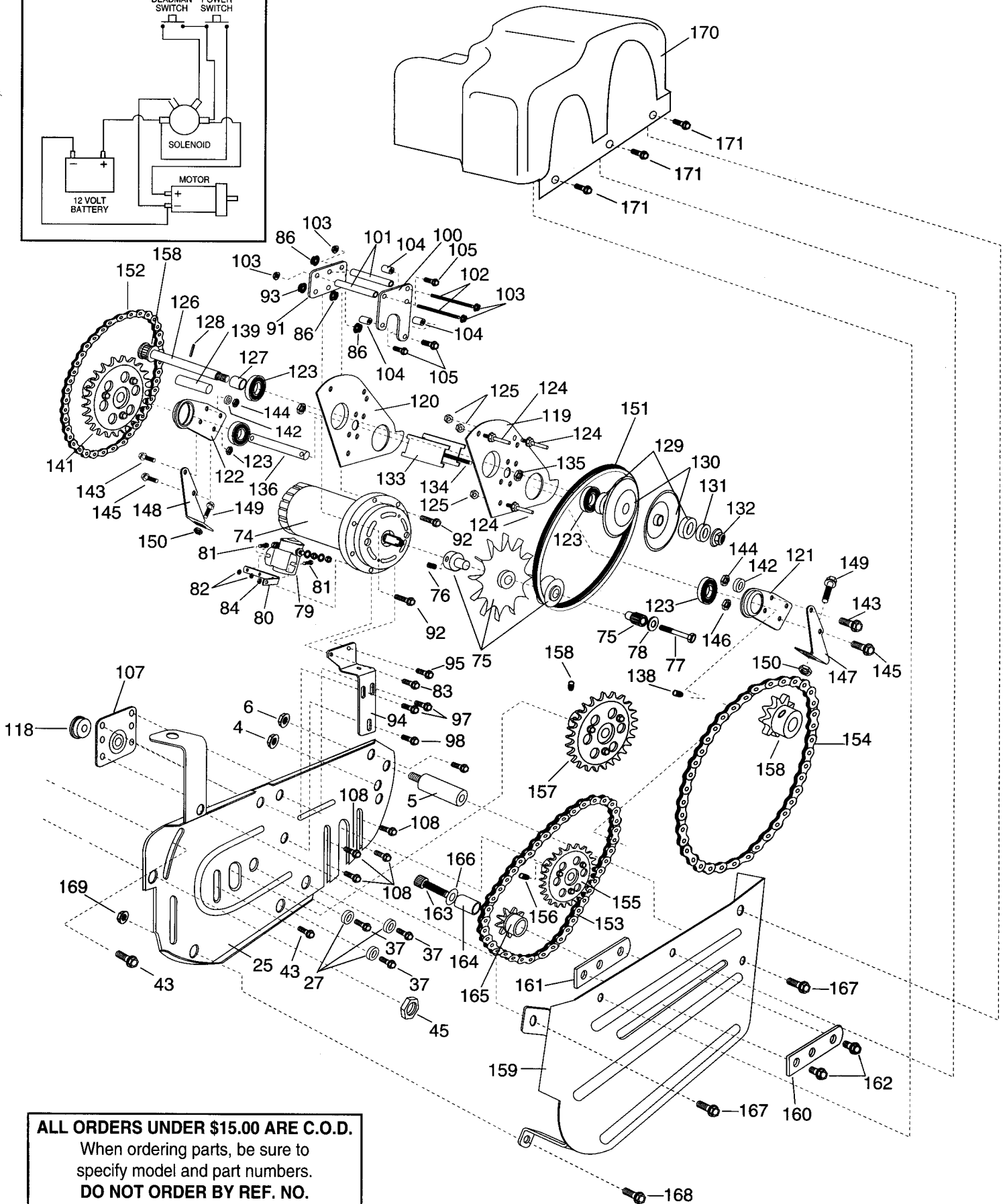
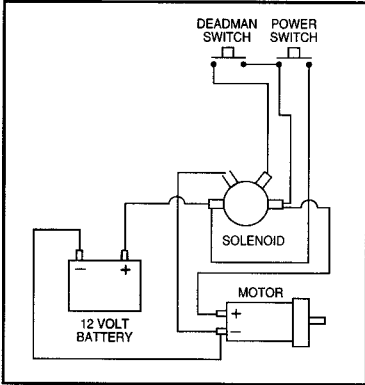


ALL ORDERS UNDER \$15.00 ARE C.O.D.
 When ordering parts, be sure to
 specify model and part numbers.
DO NOT ORDER BY REF. NO.

CORDLESS REEL MOWER PARTS ILLUSTRATION

Wiring Diagram

22



ALL ORDERS UNDER \$15.00 ARE C.O.D.
 When ordering parts, be sure to specify model and part numbers.
DO NOT ORDER BY REF. NO.

McLane — CORDLESS ELECTRIC REEL MOWER PARTS LIST

REF. NO.	PART NO.	DESCRIPTION	REF. NO.	PART NO.	DESCRIPTION
1	1500	Handle	48	1121	7/16"-14x3"L Bolt for Wheel (2)
2	1501	Left Handle Brace	49	1008	7/16"-14 Axle Nuts (2)
3	1006-B	7/16"-14x3/4" L. Brace Bolt	51	1116-PB	Front Wheels 4 " Dia. w/Plastic Bushings (2)
4	1008	7/16"-14 Nut	56	1523	Height Adjustment Lever Bracket
5	1501-A	5/8"x1-5/8" Chain Guard Spacer	57	1033	5/16"-18x1/2" Bracket Bolts (2)
6	1008	7/16"-14 Spacer Nut	58	1075-B	5/16"-24x1-1/4" Adjustment Stop Bolt
7	1501-B	Right Handle Brace	59	1075	5/16"-24 Stop Bolt Nut (2)
8	1006-B	7/16"-14x3/4" R. Brace Bolt (2)	60	1524	Front Height Adjustment Lever
9	1008	7/16"-14 Nut (2)	61	1525	Left Catcher Hook
10	1502	Handle Grip (2)	62	1526	Right Catcher Hook
11	1503	Handle Brace Plate	63	1527	Polyethylene Grass Catcher
12	1015	1/4"-28 Brace Plate Nut (6)		1527-A	Catcher Complete With Hardware
13	1018	1/4"-28x7/8" B. Plate Bolt (6)	64	1528	Catcher Reinforcement Washer (4)
14	1504	Clutch Drive Handle	65	1018	1/4"-28x7/8" Catcher Bolt (4)
15	1006	7/16"-14x1-1/4" Drive Handle Bolt	66	1015	1/4"-28 Catcher Nut (4)
16	1008	7/16"-14 Drive Handle Nut (2)	67	1529	Battery Tray
17	1505	Clutch Drive Rod	68	1529-A	#6x3/8" Self Tapping Screw for Battery Tray (2)
18	1506	Complete Switch (Includes Lever, Cover & Base Plate)	69	1530	Battery Hold Down Plates (2)
19	1507	Safety Switch, Washer & Nut	70	1074	5/16"-24x7/8" Right Plate Bolt
20	1508	Safety Switch Cup	71	1044	5/16"-24x1-1/2" Left Plate Bolt
21	2028	#10x1/2" Sheet Metal Screw (2)	72	1075	5/16"-24 Plate Bolt Nut (2)
22	1509	Wiring Harness	73	1531	12 Volt Deep Cycle Battery
23	2013	Wire Cable Clip (2)	74	1532	12 Volt Electric Motor
24	1510	Deck	75	1533	Motor Fan and Pulley Assembly
25	1511	Left Side Plate	76	1070-A	3/8"-24x1/2" Fan Set Screw
26	1512	Right Side Plate	77	2083	3/8"-20X2-1/2" Bolt for Fan Assembly
27	1513	Side Plate Spacers (6)	78	1533-D	3/8" Special Washer for Fan Assembly
28	1514	Left Catcher Hook Bracket	79	1534	Solenoid
29	1515	Right Catcher Hook Bracket	80	1535	Solenoid brace
30	1516	Grass Shield	81	1020	1/4"-28x5/8" Brace Bolt (2)
31	1516-A	1/4"-28x7/16" Flat Head Bolt for Grass Shield (2)	82	1015	1/4"-28 Brace Bolt Nut (2)
32	1015	1/4"-28 Nut for Shield Bolt (2)	83	2078	5/16"-24x1-1/4" Bolt for Solenoid Brace & Motor Mount
33	1516-B	Grass Shield Bracket (2)	84	1075	5/16"-24 Nut for Above (3)
34	1033	5/16"-18x1/2" Bracket Bolts (2)	85	1536	Motor Support/Tie Rod
35	1075-A	5/16"-18 Bracket Bolt Nut (2)	86	1015	1/4"-28 Tie Rod Nuts (4)
36	1517	Bedknife	87	1537	Motor Tie Rod Support Bracket
37	1105	5/16"-18x5/8" Bedknife Tapered Bolt (6)	88	1020	1/4"-28x5/8" Support Bracket Bolt
39	1518-3	3 Blade Reel	89	1015	1/4"-28 Nut
	1518-5	5 Blade Reel	90	1538	Motor Tie Rod Angle Support Brkt.
	1518-7	7 Blade Reel			
40	1108	Reel Bearings (2)			
41	1519	Right Reel Bearing Retainer			
42	1520	Left Reel Bearing Retainer			
43	1033	5/16"-18x1/2" Retainer Bolts (6)			
44	1521	Front Spreader Bar			
45	1008	7/16"-14 Nut for Spreader Bar (2)			
46	1834	Front Height Adjustment Assembly w/Bushings			

McLane — CORDLESS ELECTRIC REEL MOWER PARTS LIST

REF. NO.	PART NO.	DESCRIPTION	REF. NO.	PART NO.	DESCRIPTION
91	1539	Tie Rod to Motor Support Plate	139	1563	2-1/2" Inside Spacer For 1561 Shaft
92	1074	5/16"-24x7/8" Support Plate Bolt (2)	140	1564	13/16" Outside Spacer for 1561 Shaft
93	1075	5/16"-24 Nut for Above (2)	141	1572	3 OT Sprocket
94	1540	Lower Motor Support Bracket	142	1566	Upper Drive Bracket Stop (2)
95	2078	5/16"-24x1-1/4" Support Bracket Bolt	143	1074	5/16"-24x7/8" Stop Bolt (2)
96	1075	5/16"-24 Nut	144	1075	5/16"-24 Nut (2)
97	1028	5/16"-18x3/4" Support Bracket Bolt (2)	145	1033	5/16"-18x1/2" Lower Brkt. Bolt (2)
98	1033	5/16"-18x1/2" Support Bracket Bolt	146	1075-A	5/16"-18 Nut (2)
99	1075-A	5/16"-18 Nut (3)	147	1567	Left Drive Assembly Holding Bracket-Welded to Deck
100	1541	Belt Clutch Bracket	148	1568	Right Drive Assembly Holding Bracket-Welded to Deck
101	1542	Spacer-Between Clutch Bracket and Motor Support Plate	149	1033	5/16"-18x1/2" Holding Brkt. Bolt (2)
102	1542-A	1/4"-28x3-3/4" Spacer Tie Rod (2)	150	1075-A	5/16"-18 Bracket Bolt Nut (2)
103	1015	1/4"-28 Tie Rod Nut (4)	151	1060-G	Clutch V Belt (4L190)
104	1543	5/8"x3/4" Clutch Stand Off (3)	152	1080	#41 Chain (36 Pitch)
105	1033	5/16"-18x1/2" Stand Off Bolt (3)	153	7132	#41 Chain (52" Pitch)
106	1544	Rear Axle	154	7132	#41 chain (52 Pitch)
107	1545	Rear Axle Height Adjustment Brkts (2)	155	1572	5"-30 Tooth Lower Chain Sprocket
108	1033	5/16"-18x1/2" Adj. Bracket Bolt (8)	156	1070-A	3/8"-24x1/2" Sprocket Set Screw
109	1546	Rear Axle Spacer	157	6070-A	25 Tooth sprocket
110	7135-B	Rear Wheel Complete With 8" Trac Tire**	158	1562	8 Tooth sprocket (1562)
111	7136-A	Rear Wheel Rim	159	1574	Lower Left Side Guard
112	7061-A	Rear Wheel Trac Tire	160	1575	Outside Chain Adjusting Bracket-Holes Not Threaded
114	7180	Outside Wheel Bearing	161	1576	Inside Chain Adjusting Bracket-Threaded Holes
115	7137-A	Sprag	162	1033	5/16"-18x1/2" Bracket Bolts (2)
116	7138	Sprag Roller (4)	163	1577	5/16"-18x1-1/4" Adj. Sprocket Bolt
117	7140-A	Dust Cover	164	1578	5/8"x1" Sprocket Bushing
118	1547	Rear Wheel Spacer (2)	165	1579	8 Tooth Chain Adjusting Sprocket
119	1548	Upper Left Drive Brkt. With Bearing	166	1580	7/16" Flat Retaining Washer
120	1549	Upper Right Drive Brkt. With Bearing	167	1062	5/16"-18x3/8" Lower Side Guard Bolt (2) - Top Holes
121	1550	Lower Left Drive Brkt. With Bearing	168	1033	5/16"-18x1/2" Lower Side Guard Bolt for Bottom Front Hole
122	1551	Lower Right Drive Brkt. With Bearing	169	1075-A	5/16"-18 Nut
123	1108	Replacement Bearing For Drive Brackets (4)	170	1581	Top Drive Assembly Guard
124	1552	Clutch Pin (3)	171	1062	5/16"-18x3/8" Assembly Guard Bolts (3)
125	1015	1/4"-28 Clutch Pin Nut (3)	172	1582	6 AMP Charger
126	1553	Front Drive Shaft			
127	1554	5/8" Spacer			
128	1555	3/16"x1" Retaining Pin			
129	1556	7/16" Spacer (2)			
130	1557	4" V Pulley Disc (2)			
131	1558	1/4" Spacer			
132	1559	1/2"-20 Lock Nut			
133	1560	Upper Drive Bracket Brace (2)			
134	1121	7/16"-14x3-1/4" Brace Bolt			
135	1008-A	7/16"-14 Jam Nut			
136	1561	Shaft For Chain Sprocket			
137	1562	8 Tooth Upper Chain Sprocket			
138	1070-A	3/8"-24x1/2" Sprocket Set Screw			

**Must Indicate Left or Right Wheel

ALL ORDERS UNDER \$15.00 ARE C.O.D.
 When ordering parts, be sure to specify model and part numbers.
DO NOT ORDER BY REF. NO.